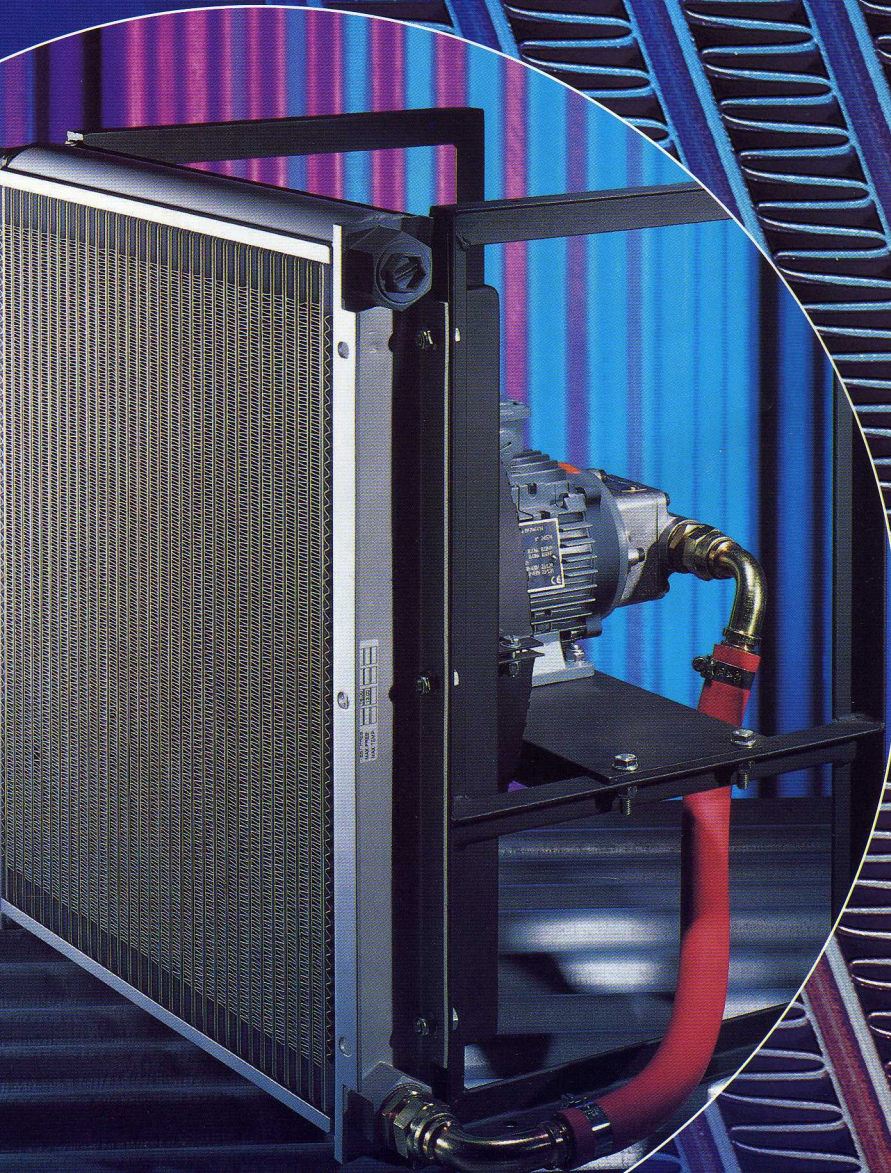




off line

air-blown oil coolers



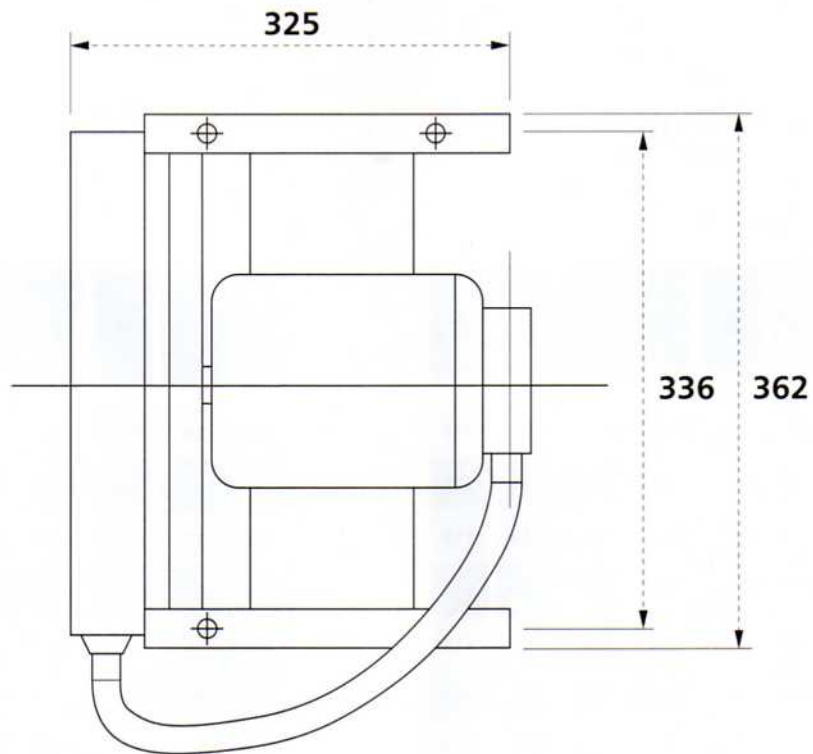
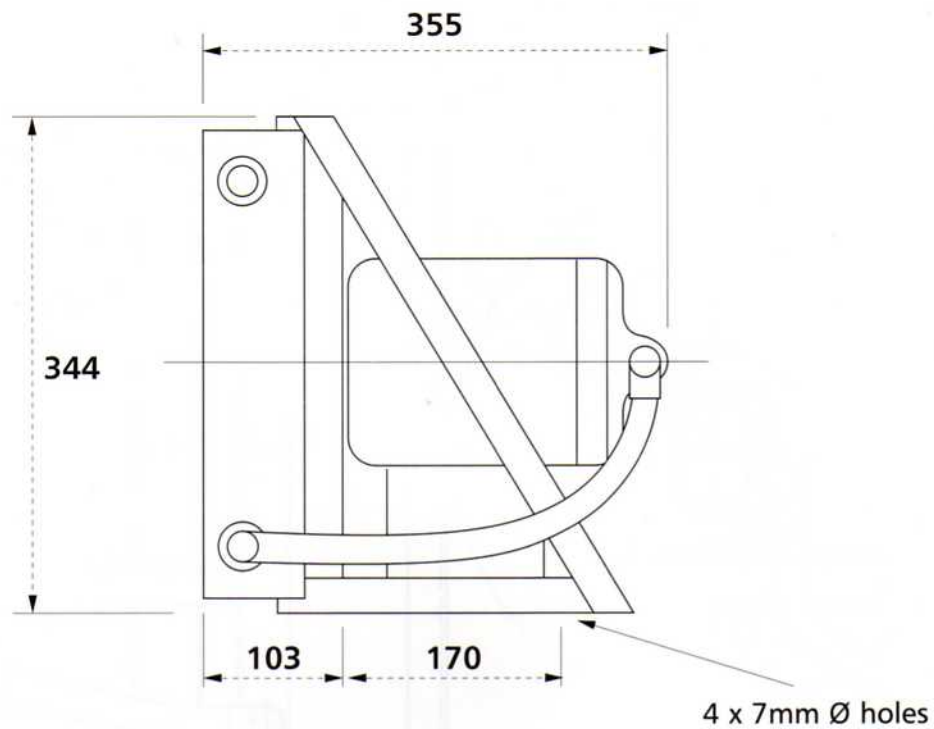
Cooler size	Cooling at 100°C ΔT KW	Noise level dBA x 1 MTR	Radiator ports sizes	Pump ports sizes	Pump flow rate (NOM) LPM	Fan power KW #	Amps at 400 V 3 PH 50 HZ	Encl. IP	Approx Kg (dry)
ΔSAPEQ 9	10	55	3/4" Bsp	3/4" Bsp	25	0.37	1.15	55	17.5
ΔSAPEQ 16	15	58	3/4" Bsp	3/4" Bsp	25	0.37	1.15	55	17.5
ΔSAPE 20	23	75	3/4" Bsp	3/4" Bsp	30	0.55	0.55	55	17.5
ΔSAPE 26	26	79	3/4" Bsp	3/4" Bsp	30	0.55	0.55	55	17.5
NCPEQ 30	30	65	3/4" Bsp	3/4" Bsp	25	0.37	1.15	55	33
NCPE 35	35	76	3/4" Bsp	3/4" Bsp	50	1.1	2.50	55	—
NCPE 43	43	81	3/4" Bsp	3/4" Bsp	50	1.1	2.50	55	—
NCPE 51	51	80	3/4" Bsp	3/4" Bsp	50	1.1	2.50	55	—
NCPE 60	60	76	3/4" Bsp	3/4" Bsp	135	2.2	4.70	55	—
NCPE 75	75	76	1" Bsp	1 1/2" Bsp	135	2.2	4.70	55	—
NCPE 81	81	75	1" Bsp	1 1/2" Bsp	135	2.2	4.70	55	—
NCPE 90	90	78	1" Bsp	1 1/2" Bsp	135	2.2	4.70	55	—
NCPE 99	99	77	1" Bsp	1 1/2" Bsp	135	2.2	4.70	55	—
NCPE 120	120	82	1" Bsp	1 1/2" Bsp	135	2.2	4.70	55	—
HNPE 138	138	80	2" Bsp	1 1/2" Bsp	135	2.2	4.70	55	—
HNPE 161	161	79	2" Bsp	1 1/2" Bsp	135	2.2	4.70	55	—
HNPE 177	177	81	2" Bsp	1 1/2" Bsp	135	3.0	7.60	55	—
HNPE 188	188	85	2" Bsp	1 1/2" Bsp	135	3.0	7.60	55	—
HNPE 204	204	85	2" Bsp	1 1/2" Bsp	135	3.0	7.60	55	—
HNPE 236	236	87	2" Bsp	1 1/2" Bsp	180	5.5	11.60	55	—
HNPE 274	274	93	2" Bsp	1 1/2" Bsp	180	5.5	11.60	55	—
HNPE 300	300	82	2" Bsp	1 1/2" Bsp	180	5.5	11.60	55	—

CAUTION - Noise Data

The noise values are given by the fan manufacturers in dBa and apply to 'free field' conditions. In practise different conditions lead to sound reflection, reverberation and resonance, dependent on insulation details. The resulting actual noise levels can be in excess of the nominal figure shown.

Please note: Fan/Motor powers and amps are for guidance only: Other Fan/Motor options may be fitted.

Delta type



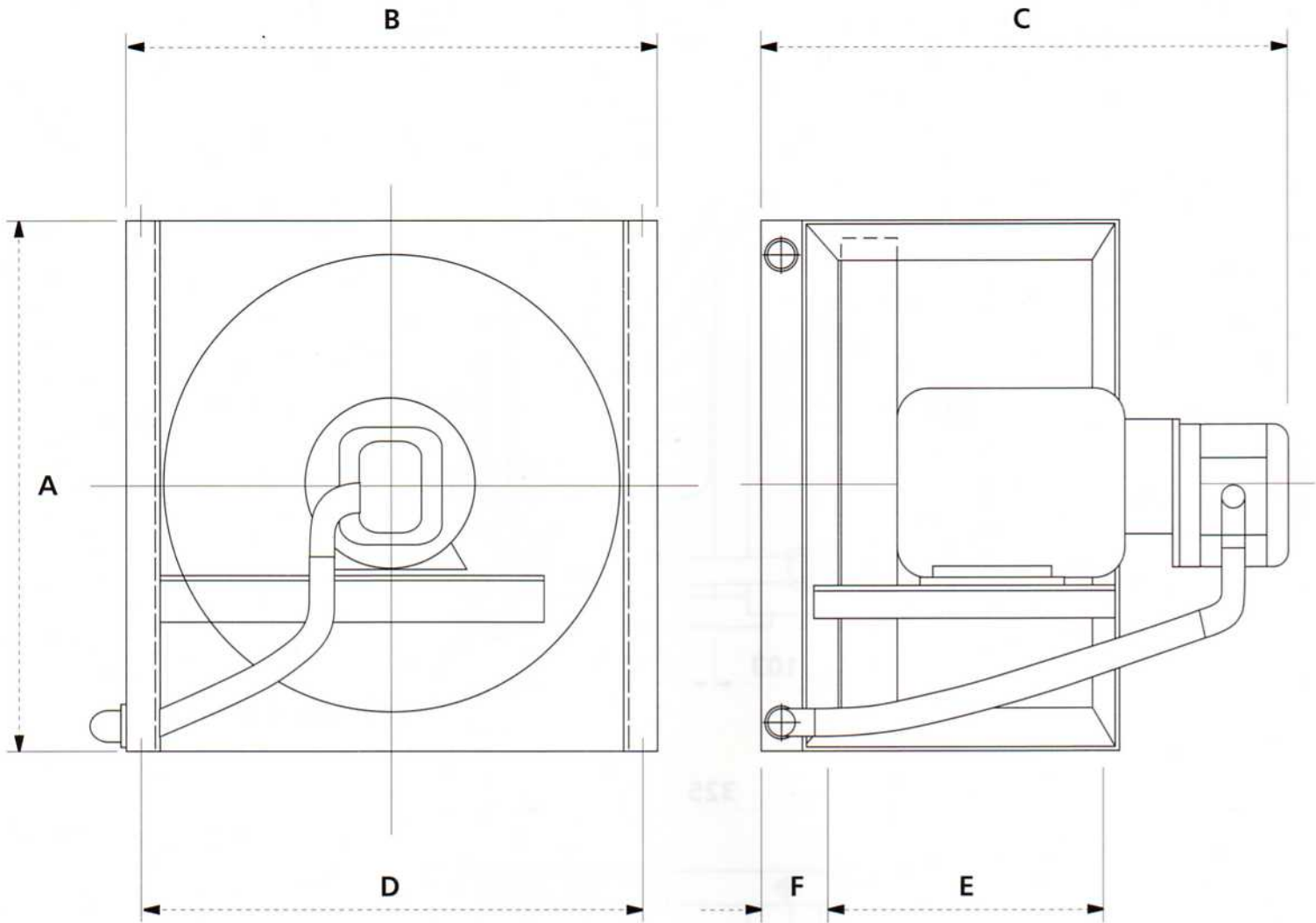
Note:

All dimensions are in millimetres and for reference only. Drawings should be obtained for installation purposes. Certified dimensional drawings are available if required.

Terotechnical information sheets are sent with each cooler, or earlier if requested. We reserve the right to change details without prior notice.

Notes on air flow

Air flow direction is generally pushing (type "A") from fan, through radiator. Pulling (type "B") versions are available. If critical please consult OCCO.



Cooler size	A	B	C	D	E	F
NCPEQ 30	554	500	400	475	230	113
NCPE 35	504	443	423	418	230	113
NCPE 43	504	443	423	418	230	113
NCPE 51	554	500	423	475	230	113
NCPE 60	652	521	640	481	330	113
NCPE 75	747	534	671	494	330	144
NCPE 81	747	619	671	579	330	144
NCPE 90	747	619	671	579	330	144
NCPE 99	747	719	671	679	330	144
NCPE 120	747	719	671	679	330	144

Cooler size	A	B	C	D	E	F
HNPE 138	850	809	671	769	330	144
HNPE 161	950	920	671	880	330	144
HNPE 177	1150	1085	709	1045	430	144
HNPE 188	1050	1022	748	982	450	144
HNPE 204	1150	1085	748	1045	450	144
HNPE 236	1150	1085	709	1045	430	144
HNPE 274	1150	1085	748	1045	450	144
HNPE 300	1150	1085	783	1045	500	144



www.occocoolers.co.uk

OCCO COOLERS TELFORD LTD
 ST GEORGES RD INDUSTRIAL ESTATE
 DONNINGTON, TELFORD
 TF2 7QZ

TEL: 01952 616381 FAX: 05600 753354